

DUAL THREE-PHASE METER

EASTRON SDM630MV-2C

Dual three-phase smart DIN-rail energy meter

Item code **M0014**

- › 333mV CT input
- › 2 Pulse outputs
- › Class 1.0 accuracy
- › RS485 Modbus communication
- › Bi-directional measurement for Import/Export
- › Measures kWh, kvarh, W, var, VA, PF, Hz, dmd, V, A and more



FEATURES



CT submetering with 0.333V (333mV) input

- › High accuracy, remote communication and ease of installation makes the programmable CT mV Modbus meter perfect for use in industrial environments with a higher power demand or increased usage, like shopping malls, office buildings, factories and infrastructure.

Remote metering of various phase circuits

- › The multifunctional energy meter can measure and display data from 2x three-phase circuits or 6x single-phase circuits.

DESCRIPTION

The advanced digital dual three-phase meter SDM630MV-2C enables metering for a wide range of CT's with 333mV output. Ideal for submetering and monitoring scenarios in industrial environments with a higher power demand or increased usage.

Class 1.0 accuracy, remote communication and ease of installation turns the programmable Modbus (RS485 RTU) meter into the perfect meter for measuring and displaying data from two three-phase circuits or 6 single-phase circuits.

Bi-directional measurement makes this unit an ideal choice for Solar PV measurement.

The LCD screen displays a broad range of electrical parameters - active energy (kWh), reactive energy (kvarh), active power (W), reactive power (var), apparent power (VA), voltage (V), current (A), power factor, demand and frequency.

SPECIFICATIONS

Nominal voltage(Un)	› 3x230/400 V ac	Over current withstand	› 20 I _{max} for 0.01s
Operational voltage	› 80%~120% of Un	Operational frequency range	› 50 or 60Hz
Insulation capabilities	› AC voltage withstand › 4KV for 1 minute	Power consumption per phase	› ≤ 2W/10VA
	› Impulse voltage withstand › 6KV-1.2μS	Pulse output	› Configurable
Rated current (I _r)	› 5A or 333mV CT input	Display	› LCD
Operational current range	› 0.4% I _b -I _{max}	Max reading	› 9999999.9 kWh/kVarh

PERFORMANCE CRITERIA

Operating humidity	› ≤ 90%	Electromagnetic environment	› E2
Storage humidity	› ≤ 95%	Degree of pollution	› 2
Operating temperature	› -25°C - +55°C	Accuracy class	› Class1/Class B
Storage temperature	› -40°C - +70°C	Electrostatic discharges	› 8kV contact / 15kV air gap
Reference temperature	› 23°C± 2°C	Electromagnetic HF fields	› IEC 61000-4-3
International standard	› IEC 62053-21 / EN50470-1/3	Electrical fast transients	› 4kV
Installation category	› CAT III	Surge	› 4kV
Mechanical environment	› M1	Radiated & conducted emissions	› EN 55022
Insulating encased meter of protective class	› II	Protection against penetration of dust and water	› IP51(indoor)

MODBUS

Bus type	› RS485(semi-duplex)	Max. Bus loading	› 64pcs
Protocol	› Modbus RTU	Communication distance	› 1000M
Baud rate	› 2400/4800/9600/19200/38400 bps	Parity	› EVEN/ODD/NONE
Address range	› 1-247		

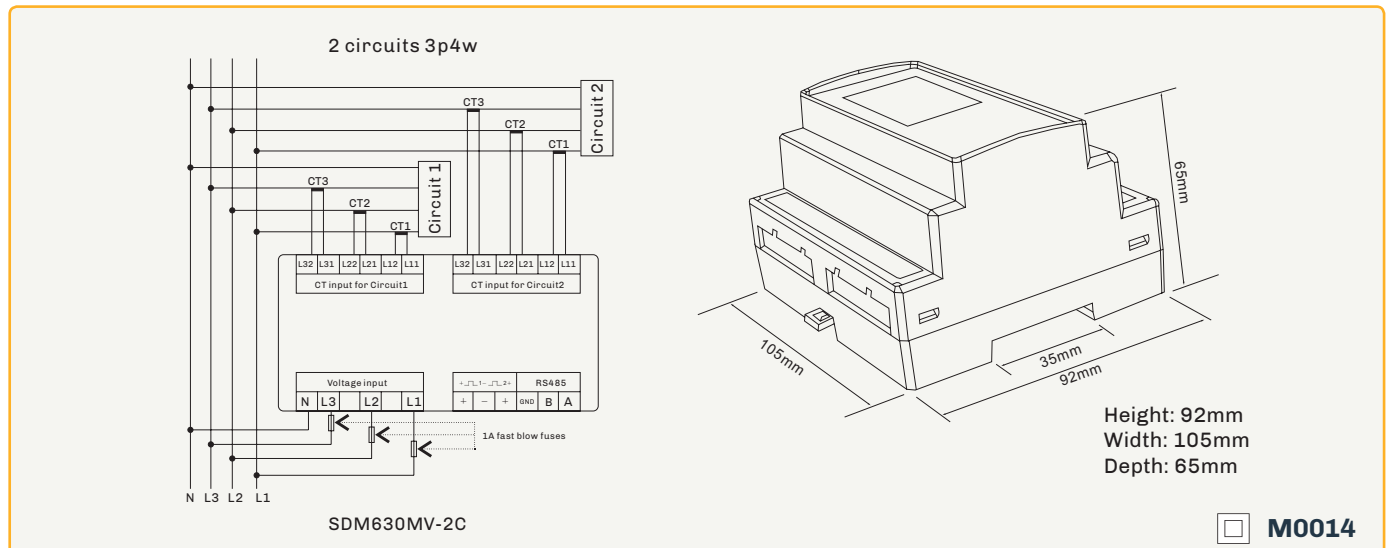
PULSE OUTPUT

Pulse outputs	› 2
Pulse output type	› Passive
Pulse output 1	› C1 Configurable
Pulse output 2	› C2 Configurable
Pulse width	› 200/100(default)/60ms

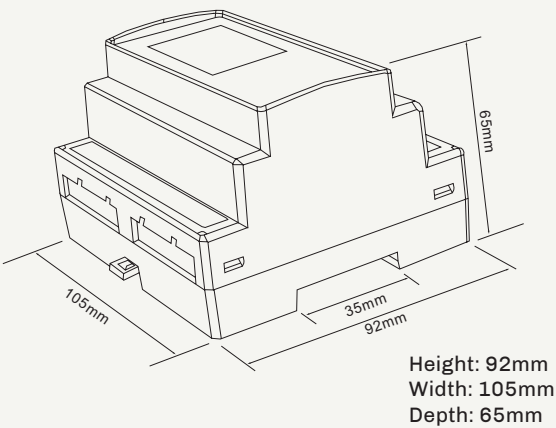
ACCURACY

Voltage, Current	› 0-5%
Frequency	› 0-2% of mid-frequency
Power factor	› 1% of unity (0.01)
Active power, Apparent power	› ±1% of range maximum
Reactive power	› ±1% of range maximum
Reactive energy (Varh)	› Class 2
Active energy (Wh)	› Class 1

WIRING DIAGRAM



DIMENSIONS



M0014