

Jiangyin Spark Rogowski Coil current Transformers are designed for fast and easy installation on existing primary conductors/ BUS bars. The split design permits non-contact AC current or current pulse measurement without requiring that the primary conductor be taken offline and disconnected for the current sensor installation. This method provides for the safe, easy and portable measurement of current.

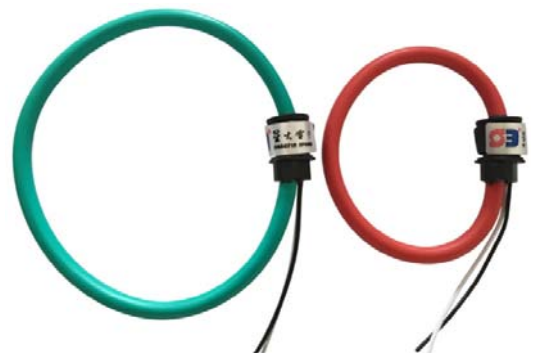
A current sensor that is based upon the Rogowski Coil principle offers significant advantages over the standard magnetic core current transformer products. Specifically, since the sensor does not incorporate a magnetic core, magnetic core saturation (the point where incremental increases in magnetic flux are not reflected in proportional increases in secondary signal outputs) is avoided.

一、Specifications:

- Current Range: 10A to 100kA
- Rated output: 0.333Vac at rated current with Integrator, 100mV/per 1000A @ 50Hz without integrator
- Accuracy: $\pm 1\%$ from 5% to 120% of rated current with integrator (45-65Hz)
- Phase Angle: $\leq \pm 1^\circ$ 5% to 120% from 5% to 120% of rated current
- Linear: 0.5%
- Frequency: 1Hz-1MHz, 50/60 Hz nominal
- Work Voltage: 600V
- Power supply: 7-30VDC (9 Vdc, 12 Vdc recommended)
- Coil Diameter: 10.5mm, 12mm or as customer order
- Window size: 10mm, 15mm or as per customer ordered
- Wire lead: 1 meter sheath cable or as customers order
- Withstand Voltage: 3000V
- Operating temperature: -25°C - $+70^\circ\text{C}$
- IP class : IP65
- CE recognized. RoHS Compliant

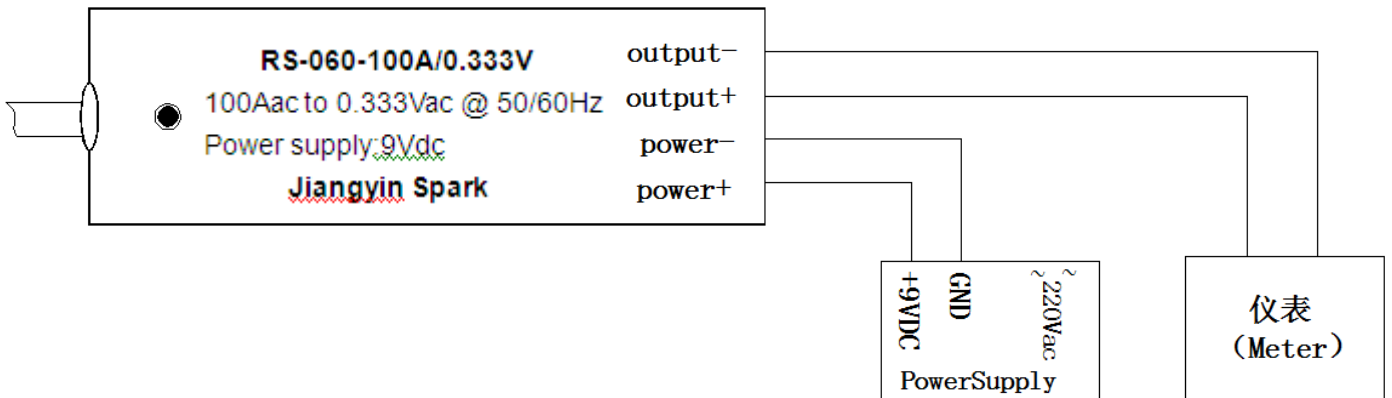


0.333Vac output with integrator

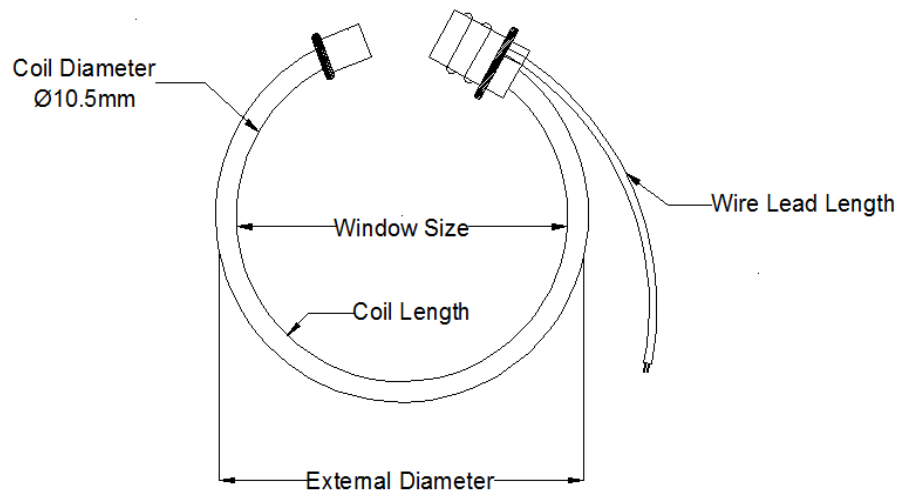


100mV/per 1000A with integrator

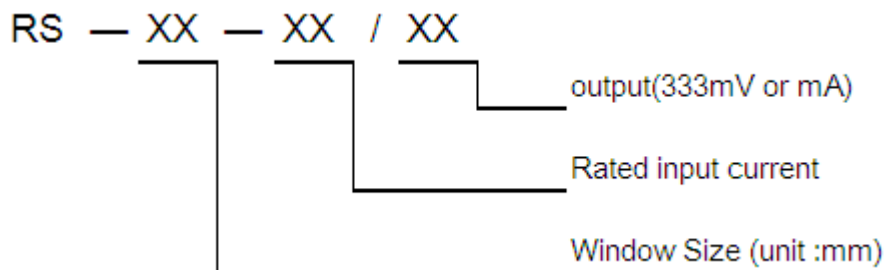
三、Integrator circuit 100mV/per 1000A with integrator



四、Coil Drawing Size (unit: mm):



五、Order Information



For Example:

| Part Number | Suggest Window Size | Rated Amps |
|--------------------|---------------------|------------|
| RS-060-100A/0.333V | 60mm | 100A |

Rogowski Coil Current Transformer



| | | |
|---------------------|-------|-------|
| RS-076-200A/0.333V | 76mm | 200A |
| RS-090-400A/0.333V | 90mm | 400A |
| RS-100-800A/0.333V | 100mm | 800A |
| RS-150-1000A/0.333V | 150mm | 1000A |
| RS-160-1200A/0.333V | 160mm | 1200A |
| RS-190-3000A/0.333V | 190mm | 3000A |
| RS-200-5000A/0.333V | 200mm | 5000A |
| RS-300-6000A/0.333V | 300mm | 6000A |