

The JIANGYIN SPARK series of split core current sensors are designed for fast and easy installation. Split-core transformers are ideal for installation on existing electrical wiring by snapping around the conductor. This method permits a safer, easy and portable current measurement.

Features:

- Small size, low cost
- High secondary turns
- Secure locking hinge

Specifications

- Rated Current 5A to1000A
- Rated output: 0.333Vac/5A/1A
- Current Ratio:3000:1 or as per customer data
- Insulation Voltage:600Vac
- Maximum Primary Voltage:5000Vac(Insulated Conductor)
- Operating Temperature:-15°Cto 60°C.
- RoHS Compliant
- Frequency Range:50-400Hz
- Leads:4Foot(105cm),UL 1015,Twisted Pair, 0.34 mm²(22AWG)
- CE recognized.
- Output and leads can be customized



Applications:

- Sub-Metering Accurate Measurement
- Data Loggers to analyze Building & Machinery Performance
- Digital Fault Recorders
- Smart Grid Application Features , Load Center
- Three Phase Balance Control
- In-Factory Display , In-Home Display
- Inverters for Solar & Wind Turbine Systems
- Power Measurement Device For PLC

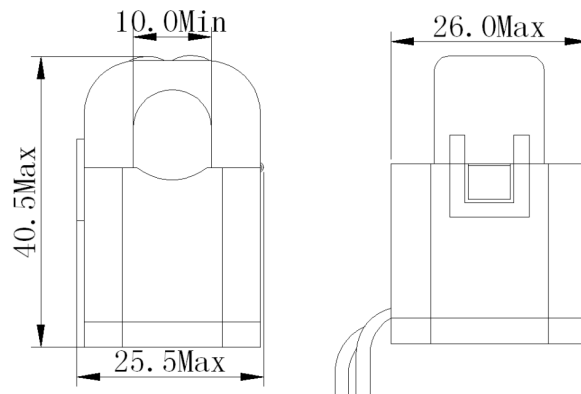
Model	I.D.	Ratio	Rated Amps	Accuracy
XH-SCT-T06	6mm	1000:1	1, 5,10, 15, 20,	0.5 , 1.0
XH-SCT-T10	10mm	3000:1	5, 15, 30, 50, 75,80	0.5 , 1.0
XH-SCT-T16	16mm	3000:1	50, 70, 100, 120	0.5 , 1.0
XH-SCT-T24	24mm	3000:1	100, 150, 200, 300	0.5 , 1.0
XH-SCT-T36	36mm	3000:1	300, 400, 500, 600	0.5 , 1.0

5A/1A output data:

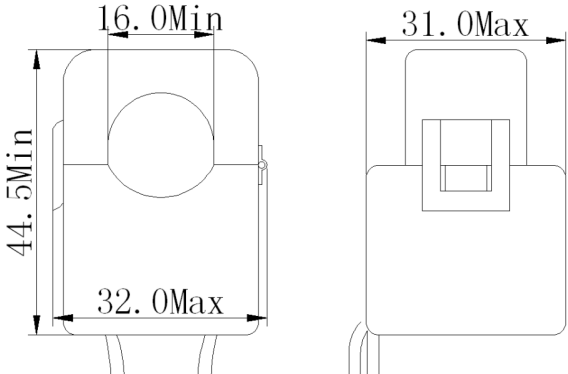
Model	Rated current	Output	Accuracy
XH-SCT-T24	50A	1A	0.5~1.0
	100A	1A /5A	0.5~3.0
	200A	1A /5A	0.5~3.0
	250A	1A /5A	0.5~3.0
	300A	1A /5A	0.5~3.0
XH-SCT-T36	50A	1A /5A	0.5~1.0
	100A	1A /5A	0.5~1.0
	250A	1A /5A	0.5~1.0
	400A	1A /5A	0.5~1.0
	600A	1A /5A	0.5~1.0
XH-SCT-T50	200A	1A /5A	1.0
	300A	1A /5A	0.5
	400A	1A /5A	0.5
	500A	1A /5A	0.5
	600A	1A /5A	0.5
	800A	1A /5A	0.2 0.5
	1000A	1A /5A	0.2 0.5

Drawing size (mm)

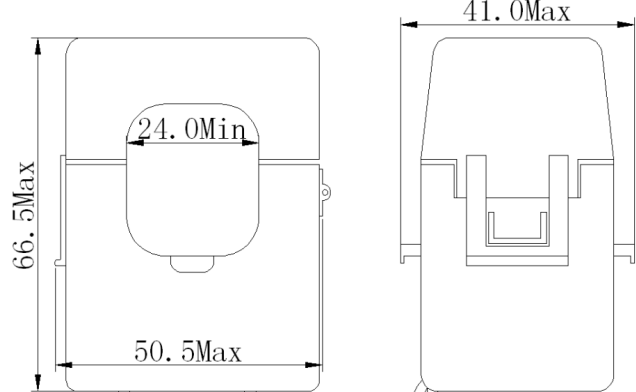
XH-SCT-T10



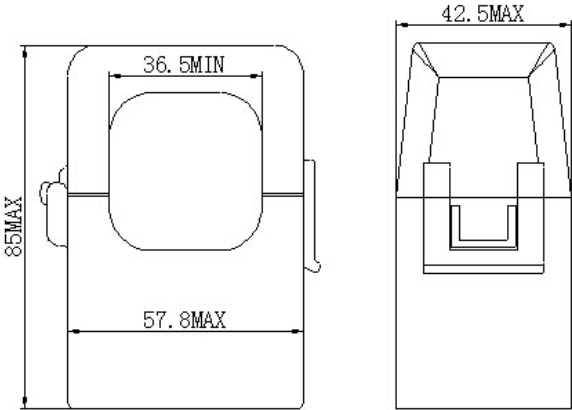
XH-SCT-T16



XH-SCT-T24



XH-SCT-T36



XH-SCT-T50

