

CTSA Series of Split core Current Transformers

CTSA Series (secondary output mA or 0.333-3.53V, Suitable for measuring the cable current)

The **Pilot** CTSA series of split core style current transformers are designed for fast and easy installation. The split core design permits non-contact current measurements through magnetic field induction without disconnecting cables circuits for CT installation.

This method permits a safer, easier and portable current measurement.



RECOMMENDED COMPONENT



CTS Series

CTSA Series

CTSB Series

FEATURES

- Low cost
- 4 standard sizes
- Split core design, safer, easier installation, and portable.

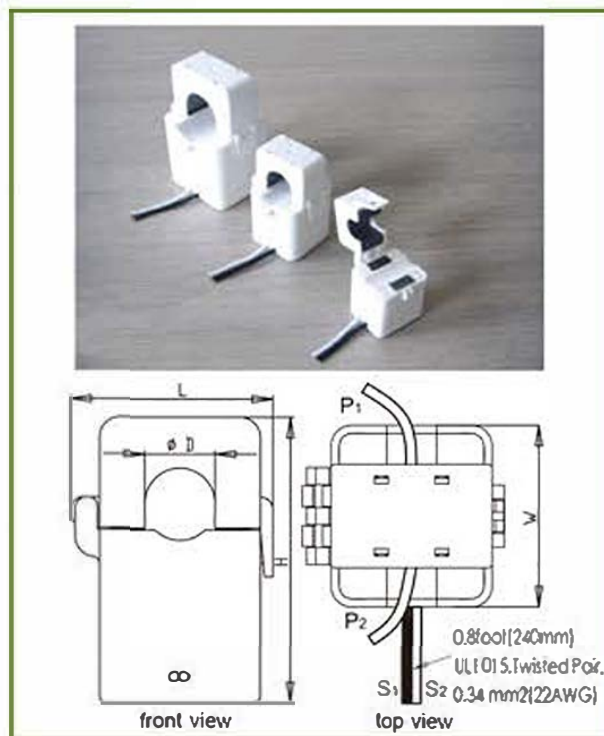
APPLICATIONS

- Electrical lines and equipment of current measurement, control and protection
- Measures AC current flow to electric motors, lighting, air condition equipment, etc. Compatible with HVAC temperature control, power management, building automation systems.

SPECIFICATIONS

- Rated Primary Current :5-400Aac
- Rated Second Voltage :0.333Vac
- Frequency Range:50-400Hz
- Operating Temperature:-15°C to 50°C
- Insulating Resistance:100M Ohms @ 500Vdc
- Dielectric Strength:2,500 Vac/min • ETL-approved
- Case Material:nylon ,Resin94-V0 • RoHS compliant
- Highest Voltage for Equipment Um (rms): ≤600Vac
- Leads: 240mm (0.8Foot), UL1015, Twisted Pair, 0.34mm² (22AWG), The length can be customized.

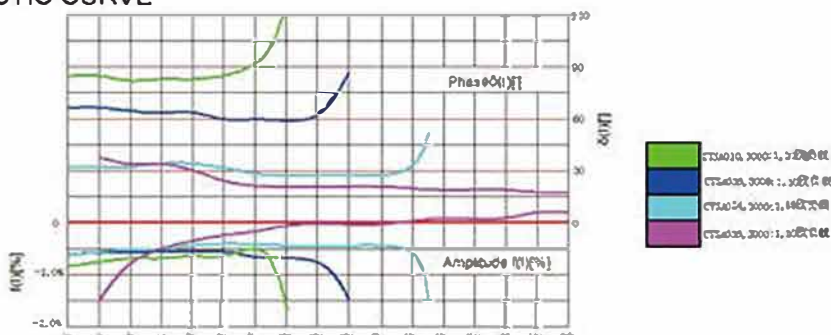
PERFORMANCES



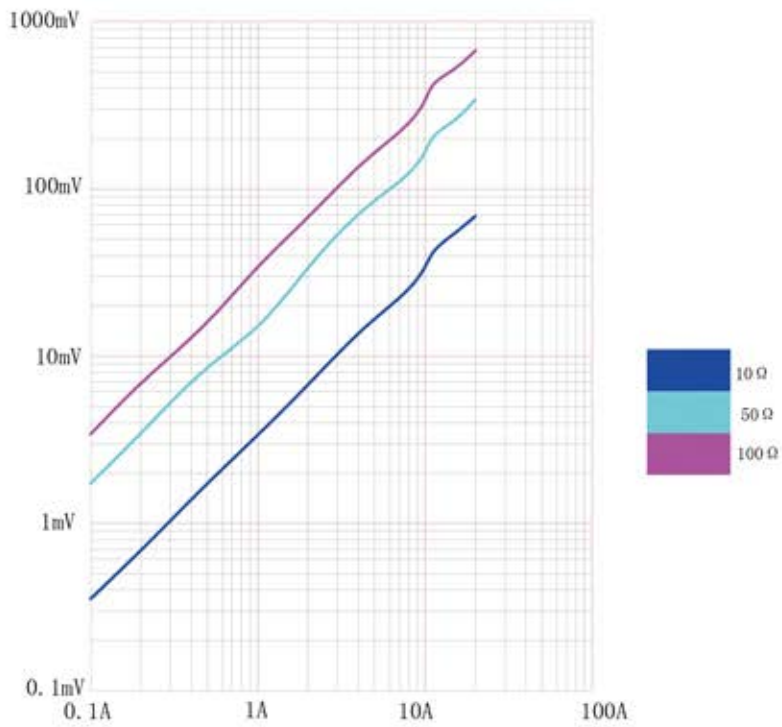
Part Number	Ratio	Measuring			Protection		Frequency (Hz)	OutlineDimensions ID-L-W-H (mm/inch)
		Rated Input (A)	Accuracy class	Phase linear error	Rated Accuracy Limit Primary Current (A)	Limit error		
CTSA005	1000:1 2000:1 2500:1 3000:1	5, 10, 15	1.0, 3.0	—	—	—	50 to 1 KHz	5.0/25.0/22.5/34.5 0.196/0.984/0.886/1.358
CTSA010		5, 10, 20, 50, 75	1.0, 3.0	≤30'	200	5%	50 to 1 KHz	10.0/29.4/26.4/41.7 0.394/1.157/1.039/1.642
CTSA016		50, 100, 150	0.5, 1.0	≤30'	300	5%	50 to 1KHz	16.0/36.9/39.2/52.9 0.630/1.453/1.543/2.083
CTSA024		100, 150, 200, 250	0.5, 1.0	≤30'	540	5%	50 to 1KHz	24.0/51.2/47.0/70.2 0.945/2.016/1.850/2.764
CTSA035		200, 300, 400, 500	0.5, 1.0	≤30'	600	5%	50 to 1KHz	35.0/65.8/51.2/83.5 1.378/2.591/2.016/3.287

Note: Output voltage signal. recommended priority of 0.333V

CHARACTERISTIC CURVE



CTSA Series of Split Core Current Transformers



CTSA005, the turn ratio is 1:3000